

DemoPad DS-2

Digital Signage Player



Specification Sheet

The DS-2 is a versatile and powerful Digital Signage Player in a compact form factor that when used in conjunction with DemoPad's mobile App and Cloud management solutions provides an unrivaled platform for showcasing digital signage on any HDMI display or TV.

With a crisp 4K (with upscaling) video output and innovative HDMI input for connection of a video source, clear and targeted signage can comprise dynamic elements such as video, images, text, embedded web content and video source Picture-in-Picture.

Storage can be expanded using either the Micro SD Card slot or a USB storage device.

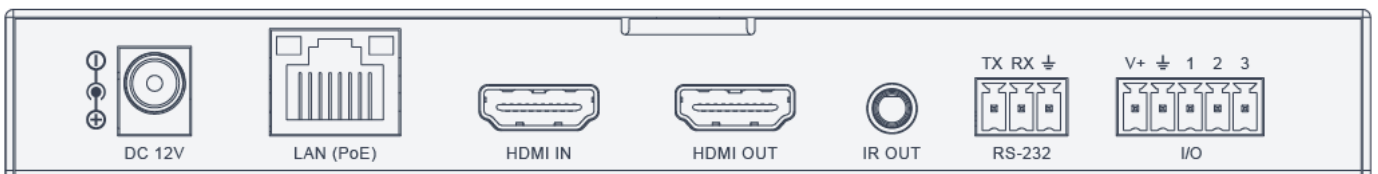
Network connectivity is achieved either by using the PoE-capable wired Ethernet connection or external WiFi antenna.

A selection of I/O provides connectivity for 3rd-party device control or interactive Signage elements, via HDMI CEC, RS-232 serial, Infrared, Bluetooth and GPIO ports.

Power is provided by a PoE or by the DC power supply with a locking DC plug.



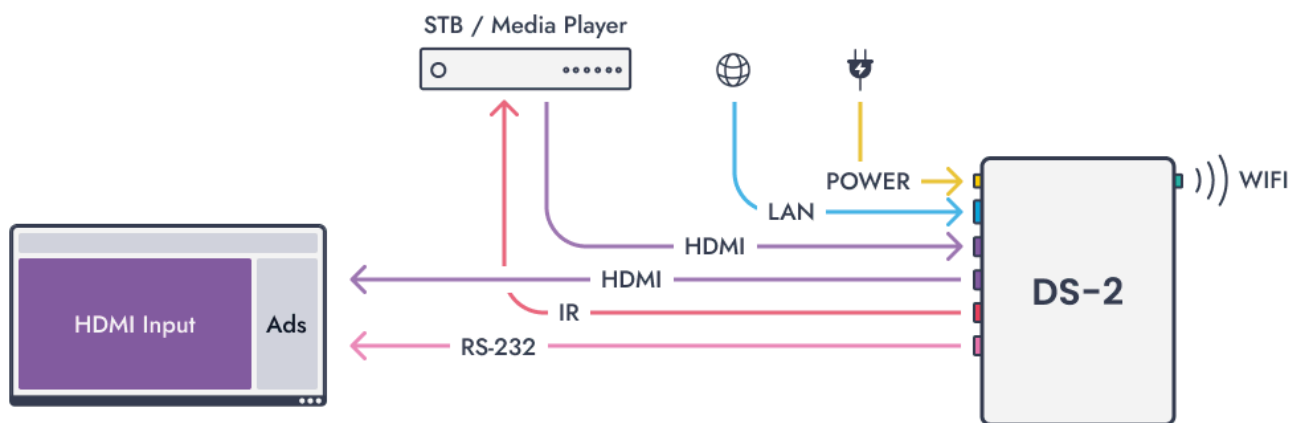
DS-2 Front



DS-2 Rear

Installation Instructions

- Place the product on a flat, horizontal surface, using the provided feet or on a flat, vertical surface, using the provided wall mount accessories.
- Ensure the product environment will not exceed the stated, ambient operating temperature for the product and provide adequate airflow to the side vents.
- Before applying power to the product, ensure it is connected correctly, according to the Connectivity Diagram.



The WEEE symbol on the product or on its packaging indicates that the product must not be disposed of with normal household waste. Instead such marked waste equipment must be disposed of by arranging to return to a designated collection point for the recycling of waste electrical and electronic equipment. By separating and recycling this waste equipment at the time of disposal will help to conserve natural resources and ensure that the equipment is recycled in a manner that protects human health and the environment.

DemoPad DS-2

Specification Sheet



Core Operating System	Android
System Storage	8GB Internal Slot for Micro SD Card USB 2.0 Host Port (USB Storage)
HDMI Output	Resolution up to 4K 3840x2160 at 60fps
HDMI Input	Up to 4K 3840x2160 at 60fps HDCP 2.2 Support Customisable EDID
Network Connectivity	Ethernet (PoE support): 1000BASE-T WiFi: WiFi 6 (2.4G 802.11b/g/n/ac/ax)
Peripheral Connectivity	RS-232 Port Infrared Output Port 3x Configurable GPIO port HDMI CEC USB2.0 Host port Bluetooth 5.0
Time & Date Sync	Internal Real-time Clock NTP Support
Accessories (included in Retail box)	AC Power Supply Wall mount brackets Rack Adapter (sold separately) brackets Infrared Emitter cable RS-232 & I/O Screw terminal blocks External WiFi Antenna Desk mount feet
Power	DC Adapter: 12VDC at 1A - 12W PoE: IEEE 802.3af (<12W)
Operating Temperature & Humidity	0 to 40°C, 20 to 90% RH
Storage Temperature & Humidity	-20 to 60°C, 20 to 90% RH
GPIO Compatibility	Input Mode: 5 - 24VDC Output Mode: 5 or 12VDC, Max 100mA total
Dimensions (mm)	Unboxed unit: 174 x 136 x 22 Retail box: 245 x 185 x 85
Weight (g)	Unboxed unit: 530 Retail unit: 950
Regional Compliance	CE FCC UKCA RoHS